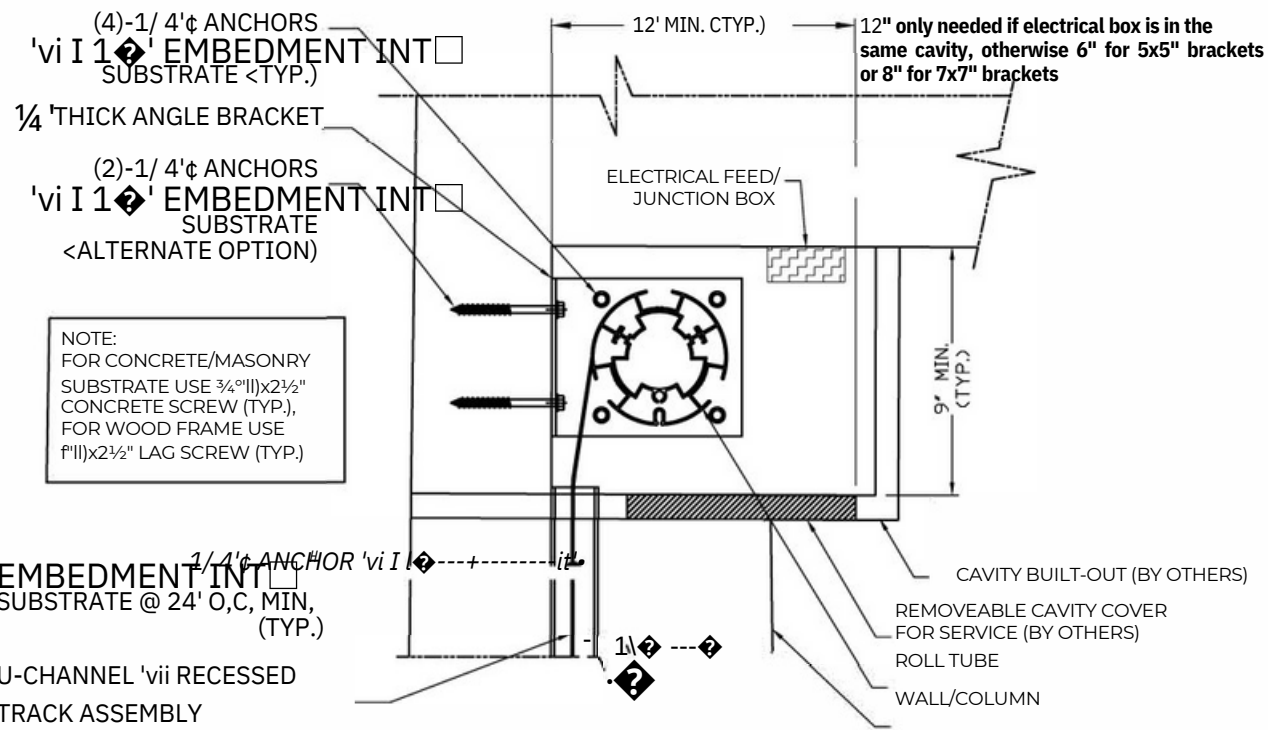
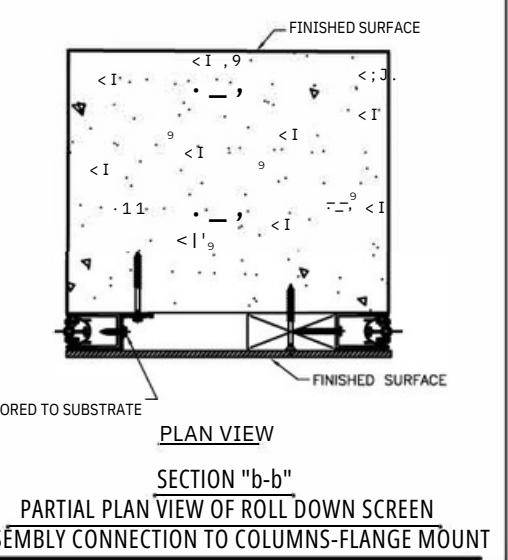
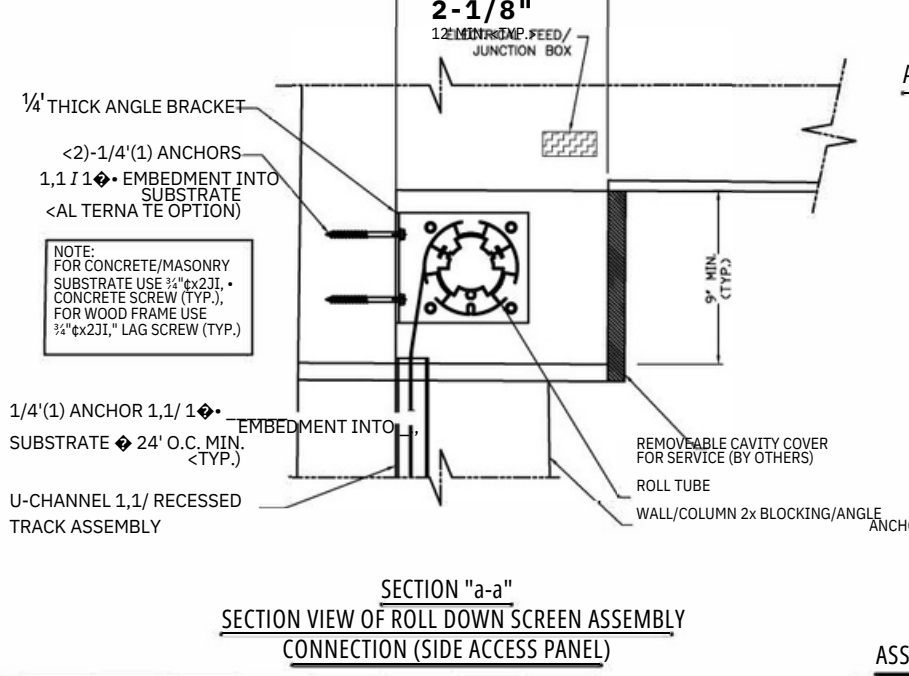
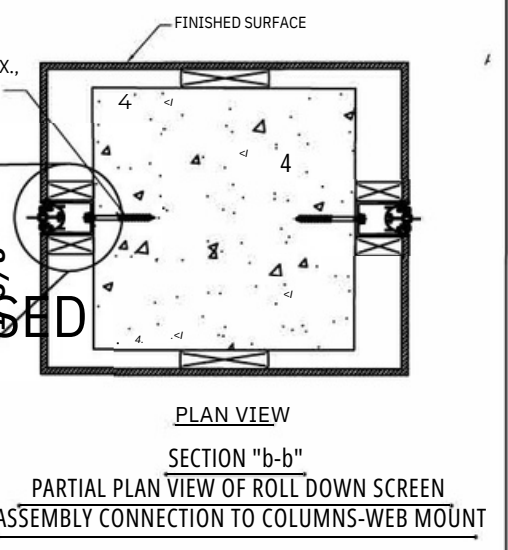
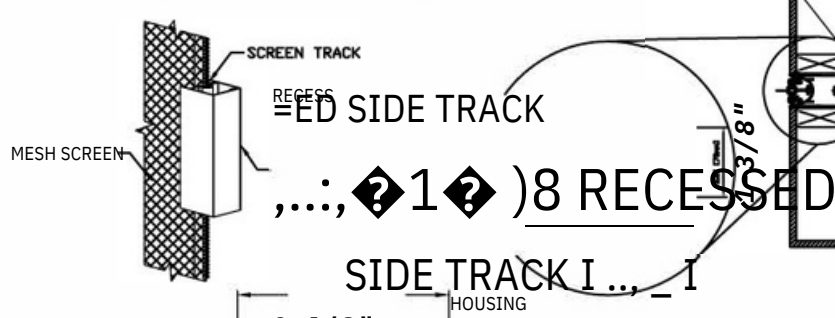
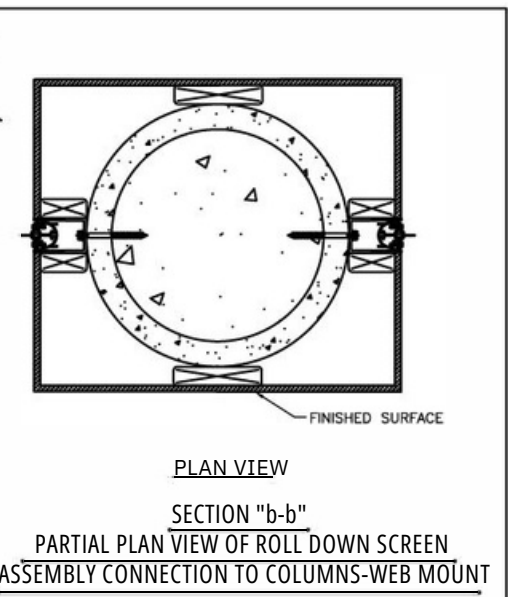
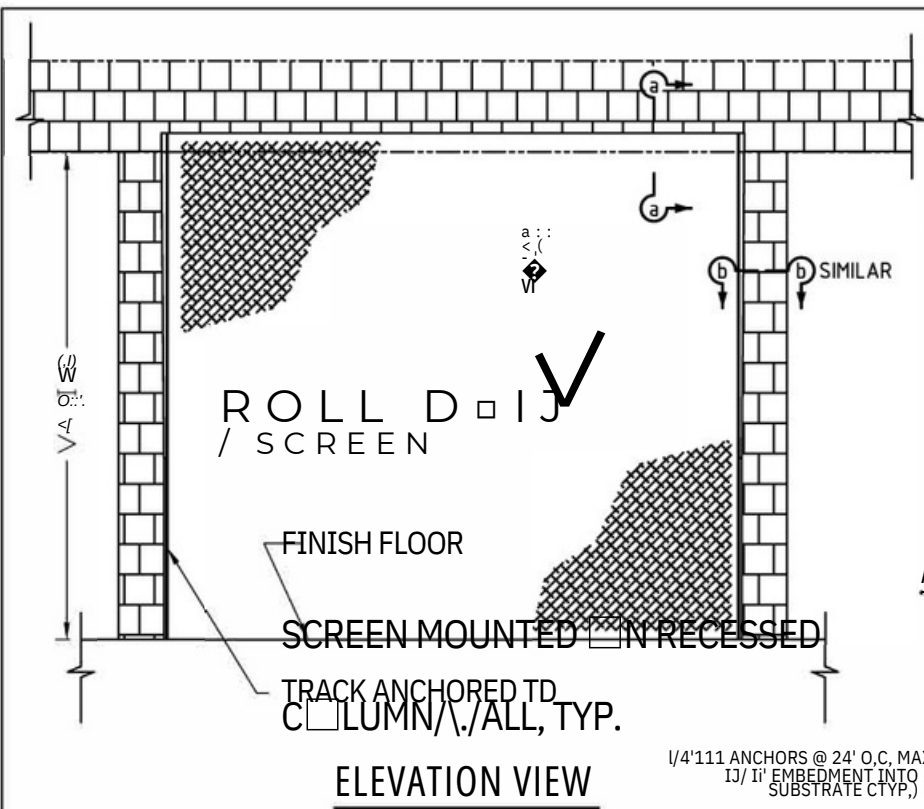


ELEVATION VIEW

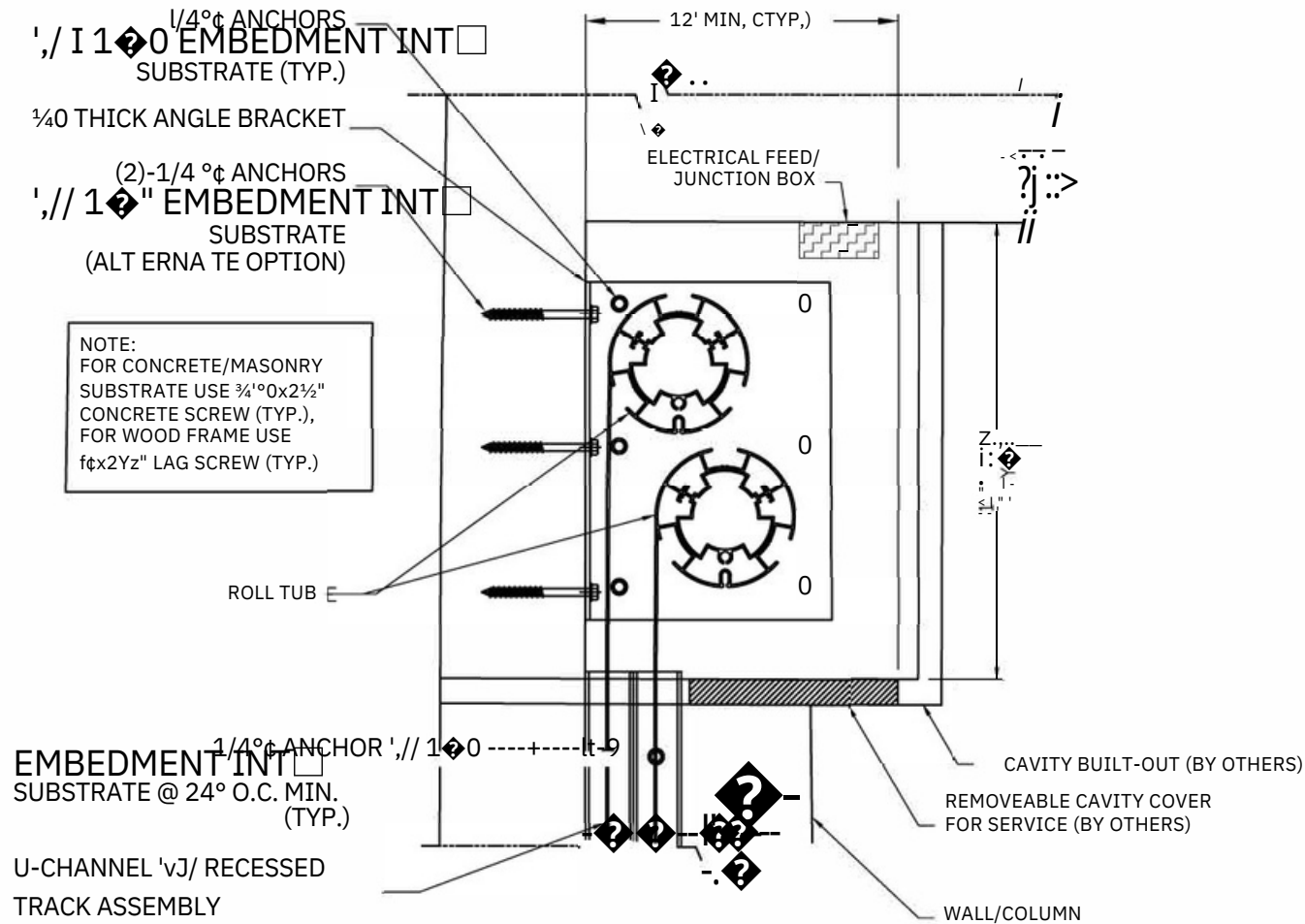


SECTION "a-a"
SECTION VIEW OF ROLL DOWN SCREEN ASSEMBLY
CONNECTION (BOTTOM ACCESS PANEL)

	Rev.				N.T.S. DATE: 2-25-20	A_.01
					RECESSED INSTALLATION	



N.T.S. DATE: 2-25-20	A-03
RECESSED INSTALLATION	



SECTION "a-a"
SECTION VIEW OF DUAL UNITS ROLL DOWN SCREEN
ASSEMBLY CONNECTION (BOTTOM ACCESS PANEL)



Rev.	Revision	Date	By	N.T.S. DATE: 2-25-20	A-05
				RECESSED INSTALLATION	